

DRAPER®

INSTRUCTIONS FOR **Workbench**

Stock No.09788

Part No.DIY-WB600Y

IMPORTANT: PLEASE READ THESE INSTRUCTIONS CAREFULLY TO ENSURE THE SAFE AND EFFECTIVE USE OF THIS PRODUCT.



DRAPER®

GENERAL INFORMATION

Read all these instructions before operating this product and save these instructions.

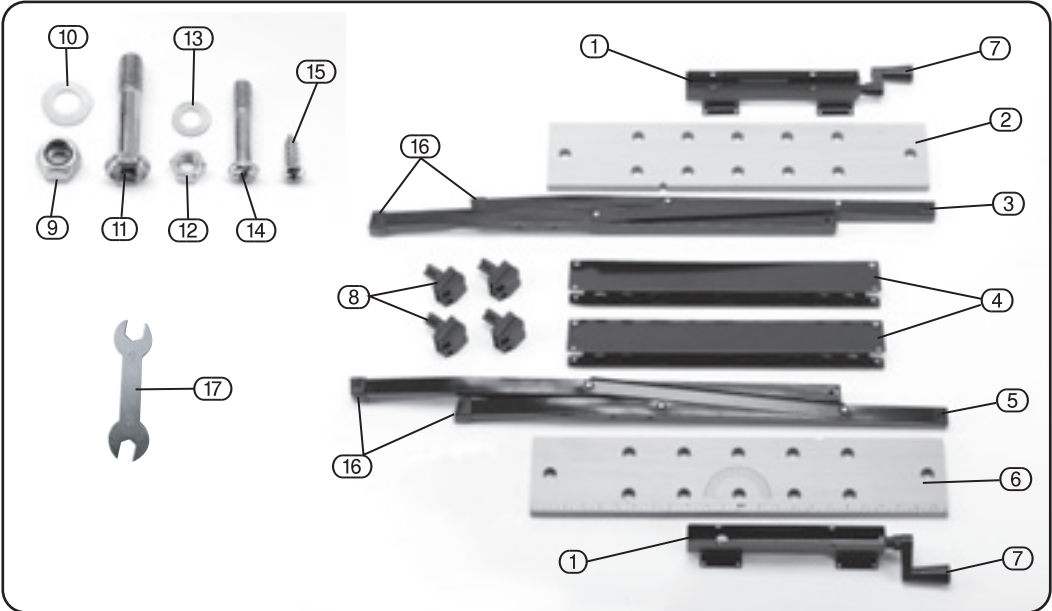
This manual has been compiled by Draper Tools and is an integrated part of the product with which it is enclosed and should be kept with it for future references.

This manual describes the purpose for which the product has been designed and contains all the necessary information to ensure its correct and safe use. We recommend that this manual is read before any operation or, before performing any kind of adjustment to the product and prior to any maintenance tasks. By following all the general safety instructions contained in this manual, it will ensure both product and operator safety, together with longer life of the product itself.

All photographs and drawings in this manual are supplied by Draper Tools to help illustrate the operation of the product.

Whilst every effort has been made to ensure accuracy of information contained in this manual, the Draper Tools policy of continuous improvement determines the right to make modifications without prior warning.

- **⚠ WARNING:** Do not stand or sit on the workbench.
- **⚠ ATTENTION!** Any heavy objects should not exceed 100kg and they should be placed on the work top carefully and evenly to distribute the weight.
- **⚠** Do not attempt to modify the bench in any way.



Contents list:

- | | |
|----------------------------|----------------------------|
| ① Top frame. | ⑨ 13mm lock nut x 4. |
| ② Rear bench top. | ⑩ 15mmØ washer x 8. |
| ③ Right hand leg assembly. | ⑪ 13mm x 44mm bolt x 4. |
| ④ Cross members. | ⑫ 10mm nut x 8. |
| ⑤ Left hand leg assembly. | ⑬ 11mmØ washer x 8. |
| ⑥ Front bench top. | ⑭ 35mm machine screw x 8. |
| ⑦ Crank handle. | ⑮ Self tapping screw x 16. |
| ⑧ Clamp blocks | ⑯ Feet. |
| | ⑰ 13mm/10mm Wrench. |

Scope: This is a light weight portable bench designed for use as a work surface or saw horse and it is capable of a variety of clamping operations.

⚠ ATTENTION: Any other application is considered misuse.

1. ASSEMBLY

- ① Carefully remove everything from the packaging and compare it against the contents list. If anything appears to be missing please contact the place of purchase.

1.1 JOINING THE LEGS

- ① The legs are assembled during the production process.
When the bench is assembled, the folding braces are on the outside & diagonal braces on the inside.

1.2 JOINING THE LEGS TO THE TOP FRAME

- i). Place the legs inside the top frame.
- ① Make sure the handle on the top frame sits over the front leg.
 - ii). Pass the 13mm x 44mm bolt through the top frame, leg tube and back out through the other side of the top frame. Place two 15mmØ washers over the front end of the bolt before the 13mm nut.
 - iii). Do up the fixings only finger tight at the moment.

1.3 JOINING THE CROSS MEMBERS TO THE LEGS

- ① For stability, the bench legs are splayed out at the bottom (they are supposed to be bent).
 - i). Place the cross members between the left hand and right hand leg assemblies.
 - ii). Pass the 35mm machine screw through the cross member, the leg and out the back of the cross member. Place the 11mmØ washer over the end of the screw before the 10mm nut.
 - iii). Do up the fixings only finger tight at the moment.

1.4 ATTACHING THE BENCH TOP

- ① The front bench top has the protractor printed on it.
 - i). Place the bench top on to the top frame.
 - ii). Line up the brackets on the top frame with the marking points on the underneath of the bench top.
 - iii). Fasten the bench top in place with the 16 self tapping screws.

1.5 FINISHING TOUCHES

- i). Stand the bench on level ground (with the legs open and braces locked) before tightening **all** the nuts and bolts.
- ii). Push the 4 feet onto the appropriate legs.

2. OPERATION AND USE

2.1 OPENING AND FOLDING THE WORKBENCH

Opening

- i). Open the leg to start unfolding the bench.
- ii). Push down on the folding braces to lock the bench in the open position.

Folding

⚠ **ATTENTION!** Before folding the workbench move both the crank handles aside to make sure they do not foul on the legs and restrict the complete folding of the bench.

- i). Lift the middle of both folding brackets a little.
- ii). Push the legs together and manoeuvre the workbench to fold it flat.

2.2 CLAMPING

Workpieces can be clamped directly in the jaws or on the bench top between the clamp blocks.

- i). If clamping on the bench top, select the holes best suited to grip the workpiece and push the clamp blocks in place.
- ii). Rotate both the clamp handles clockwise to close the jaws and grip the workpiece.
- ① The jaws can grip at an angle for items that are not parallel.
 - iii). To release the grip, turn the crank handles anticlockwise.

- **DRAPER TOOLS LIMITED,**
Hursley Road, Chandler's Ford,
Eastleigh, Hampshire. SO53 1YF. U.K.

- **Helpline:** (023) 8049 4344
- **Sales Desk:** (023) 8049 4333
- **Internet:** www.draper.co.uk
- **E-mail:** sales@drapertools.com
- **Sales Fax:** (023) 8049 4209
- **General Enquiries:** (023) 8026 6355

- **Service/Warranty Repair Agent**
For aftersales servicing or warranty repairs, please
contact the Draper Tools Helpline for details of an
agent in your local area.

YOUR DRAPER STOCKIST

OAJW240909