

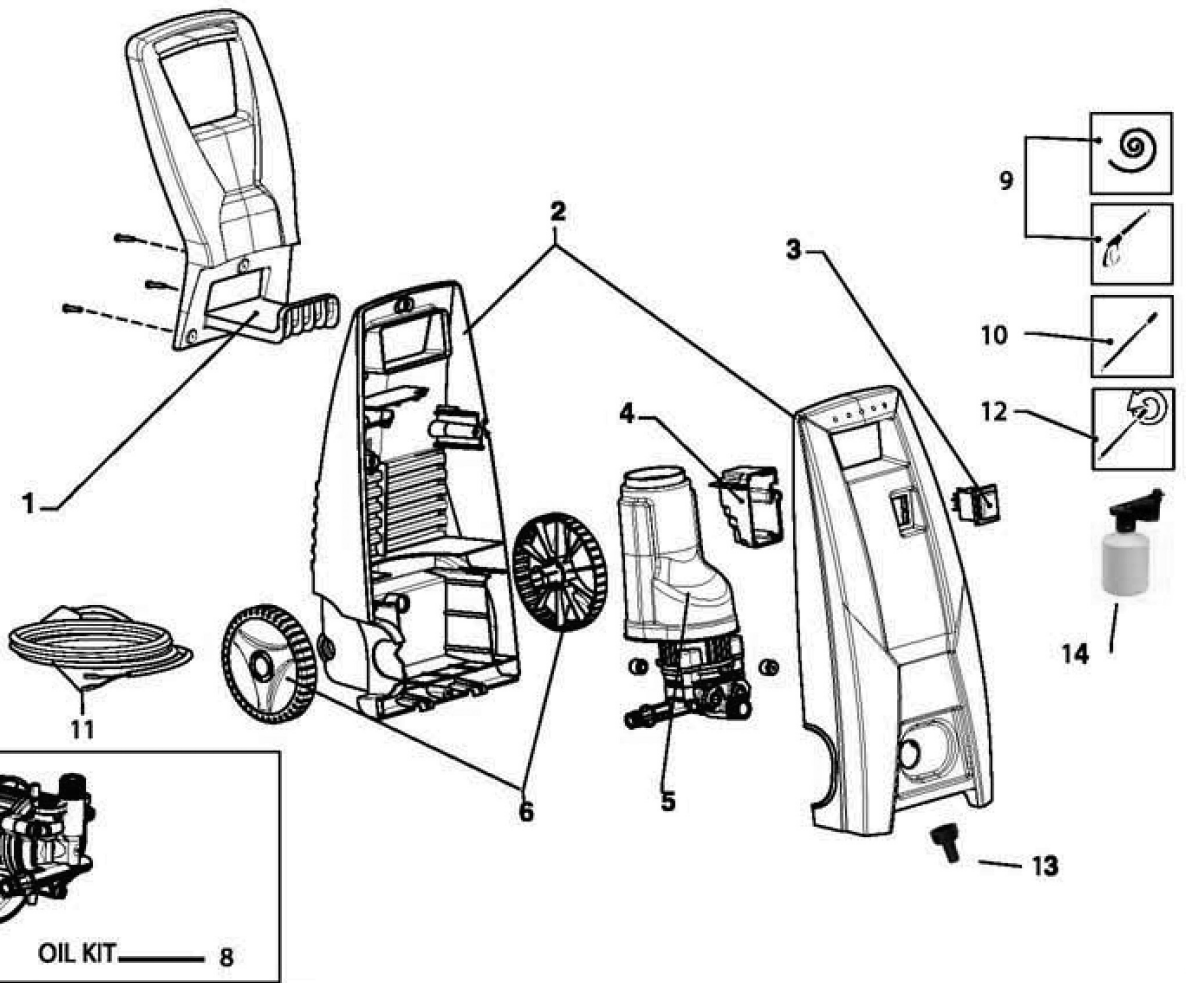


SPARE PARTS LISTING & DRAWING SHEET FOR

# 1500W Pressure Washer

Stock No.14430

Part No.PW1510



KEY No.	PART No.	STOCK No.	DESCRIPTION
1	Y40081062	20580	Handle.
2	Y40130565	20581	Housing.
3	Y50090213	20111	Switch.
4	Y40081187	20584	Internal cover for switch.
5	Y50010646C	20585	Motor pump assembly.
6	Y60050241	20588	Wheel kit.
7	Y60050080	20599	Water seals kit.

KEY No.	PART No.	STOCK No.	DESCRIPTION
8	Y60050079	20574	Oil seals kit.
9	Y60010074	20600	Gun with integrated hose.
10	Y60020262	20602	Lance.
11	Y40120163	20617	Plug and cable.
12	Y60020297	20418	Turbo lance.
13	Y31000082	20618	Inlet quick coupling.
14	Y30020259	20619	Foam bottle.

**Helpline: (023) 8049 4344. Sales Desk: (023) 8049 4333. General Enquiries: (023) 8026 6355.**

DRAPER TOOLS LTD, HURSLEY ROAD, CHANDLER'S FORD, EASTLEIGH, HANTS. SO53 1YF. U.K. internet: www.draper.co.uk e-mail: sales@drapertools.com